

**PVCu Actuated valves**  
**PVCu Valvole attuate**

# PVC-U Actuated butterfly valves PROFLOW® H

## PVC-U Valvole a farfalla PROFLOW® H attuate

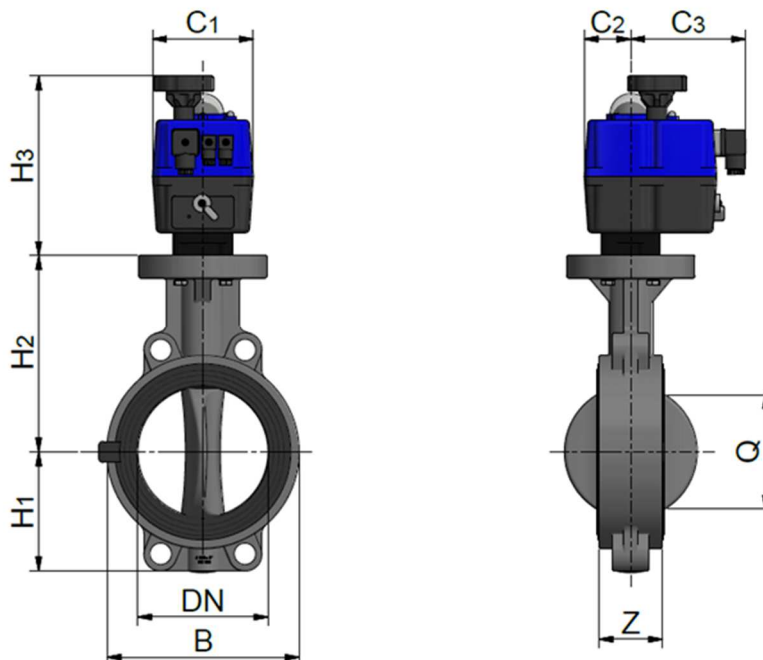


### ELECTRICALLY ACTUATED 12 VAC/VDC

### COMANDO ELETTRICO 12 VAC/VDC

Rev. Dec 2019

- Stem: zinc plated carbon steel / Asta: acciaio zincato AVP
- Seals: EPDM / Guarnizioni: EPDM
- Installation between EN/ISO/DIN, ANSI or JIS flanges / Installazione mediante flange EN/ISO/DIN, ANSI o JIS



Code	d	DN	Z	H1	H2	H3	C1	C2	C3	B	Q	PN	Weight (g)
FDREPFHJ0750	75	65	48	80	132	169	110	51	130	134	61	10	3050
FDREPFHJ0900	90	80	59	92	132	196	110	51	130	139	73	10	3750
FDREPFHJ1100	110	100	59,5	106	132	196	110	51	130	150	82	10	4031
FDREPFHJ1400	125/140	125	65	119	159	196	110	51	130	185	107	10	5468
FDREPFHJ1600	160	150	69	130	215	254	214	107	128	210	128	10	9130
FDREPFHJ2250	200/225	200	71	160	215	254	214	107	128	269	177	10	9170



NSF and WRAS certifications: only for valves with EPDM seals. Certifications and approvals are related to items declared on Official Listing or certificates. /  
 Certificazioni NSF e WRAS: valide solo per le valvole con guarnizioni EPDM. Le certificazioni si riferiscono ai prodotti dichiarati nelle Official Listing o sui certificati stessi.

# PVC-U Actuated butterfly valves PROFLOW® H

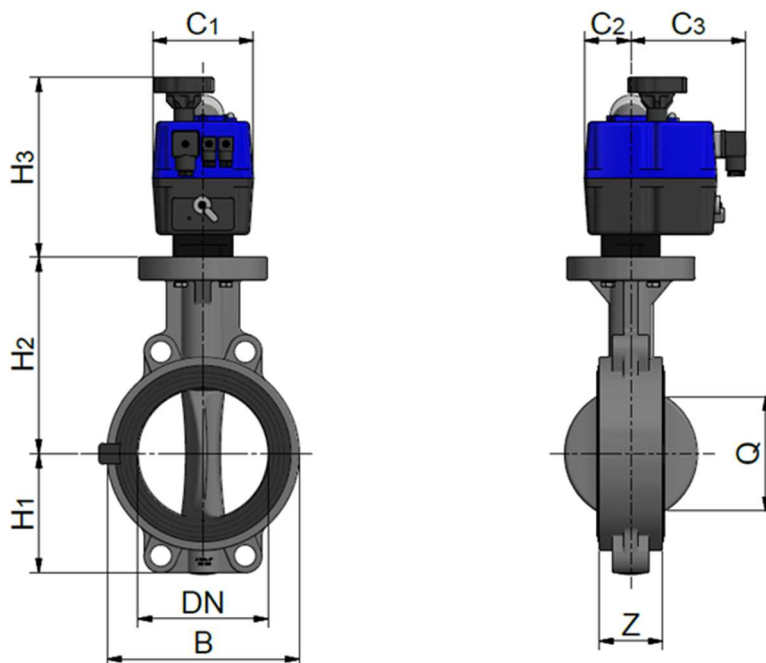
## PVC-U Valvole a farfalla PROFLOW® H attuate



**ELECTRICALLY ACTUATED 24-240 V AC / 24-135 V DC**  
**COMANDO ELETTRICO 24-240 V AC / 24-135 V DC**

Rev. Aug 2020

- Stem: zinc plated carbon steel / Asta: acciaio zincato AVP
- Seals: EPDM / Guarnizioni: EPDM
- Installation between EN/ISO/DIN, ANSI or JIS flanges / Installazione mediante flange EN/ISO/DIN, ANSI o JIS



Code	d	DN	Z	H1	H2	H3	C1	C2	C3	B	Q	PN	Weight (g)
FDREPFHY0750	75	65	48	80	132	169	110	51	130	134	61	10	3050
FDREPFHY0900	90	80	59	92	132	196	110	51	130	139	73	10	3750
FDREPFHY1100	110	100	59.5	106	132	196	110	51	130	150	82	10	4031
FDREPFHY1400	125/140	125	65	119	159	196	110	51	130	185	107	10	5468
FDREPFHY1600	160	150	69	130	215	254	214	107	128	210	128	10	9130
FDREPFHY2250	200/225	200	71	160	215	254	214	107	128	269	177	10	9170



NSF and WRAS certifications: only for valves with EPDM seals. Certifications and approvals are related to items declared on Official Listing or certificates. /  
 Certificazioni NSF e WRAS: valide solo per le valvole con guarnizioni EPDM. Le certificazioni si riferiscono ai prodotti dichiarati nelle Official Listing o sui certificati stessi.

# PVC-U Actuated butterfly valves PROFLOW® P

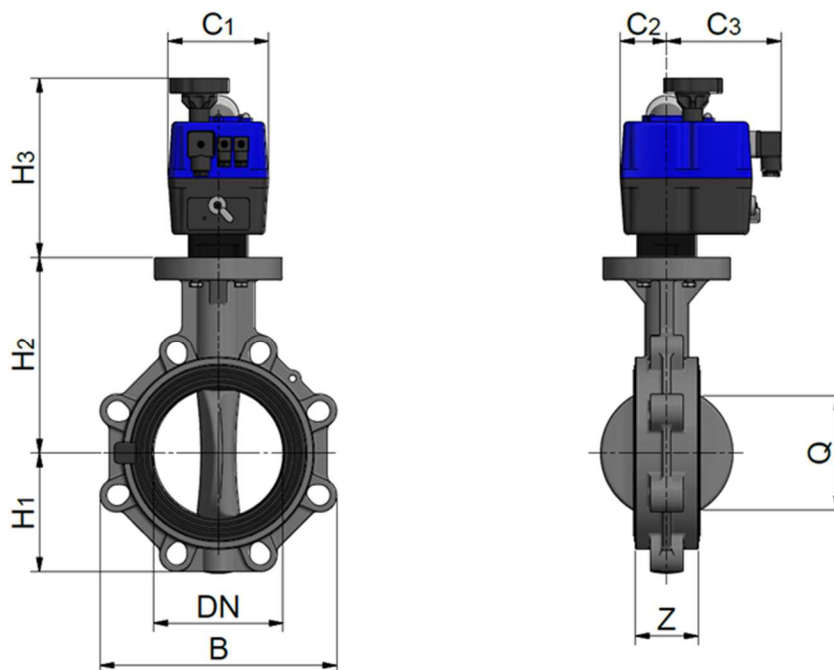
## PVC-U Valvole a farfalla PROFLOW® P attuate



### ELECTRICALLY ACTUATED 12 VAC/VDC COMANDO ELETTRICO 12 VAC/VDC

Rev. Dec 2019

- Stem: stainless steel AISI 420b / Asta: acciaio AISI 420b
- Seals: EPDM or FKM / Guarnizioni: EPDM o FKM
- Installation between EN/ISO/DIN, ANSI or JIS flanges / Installazione mediante flange EN/ISO/DIN, ANSI o JIS



Code EPDM <sup>1</sup>	d	DN	Z	H1	H2	H3	C1	C2	C3	B	Q	PN	Weight (g)
FDREPPJ0750.CR	75	65	48	80	132	169	110	51	130	134	61	10	3050
FDREPPJ0900.CR	90	80	59	92	132	196	110	51	130	139	73	10	3750
FDREPPJ1100.CR	110	100	59,5	106	132	196	110	51	130	150	82	10	4031
FDREPPJ1400.CR	125/140	125	65	119	159	196	110	51	130	185	107	10	5468
FDREPPJ1600.CR	160	150	69	130	215	254	214	107	128	259	128	10	10160
FDREPPJ2250.CR	200/225	200	71	159	215	254	214	107	128	318	177	10	11300

1) FKM code / Codice FKM : FDREPPJ\*\*\*V.CR

DN 65 and 150-200: full drilled body; DN 80-125: partially drilled body

DN 65 e 150-200: corpo con asolatura completa; DN 80-125: corpo con asolatura parziale



NSF and WRAS certifications: only for valves with EPDM seals. Certifications and approvals are related to items declared on Official Listing or certificates. /  
Certificazioni NSF e WRAS: valide solo per le valvole con guarnizioni EPDM. Le certificazioni si riferiscono ai prodotti dichiarati nelle Official Listing o sui certificati stessi.

# PVC-U Actuated butterfly valves PROFLOW® P

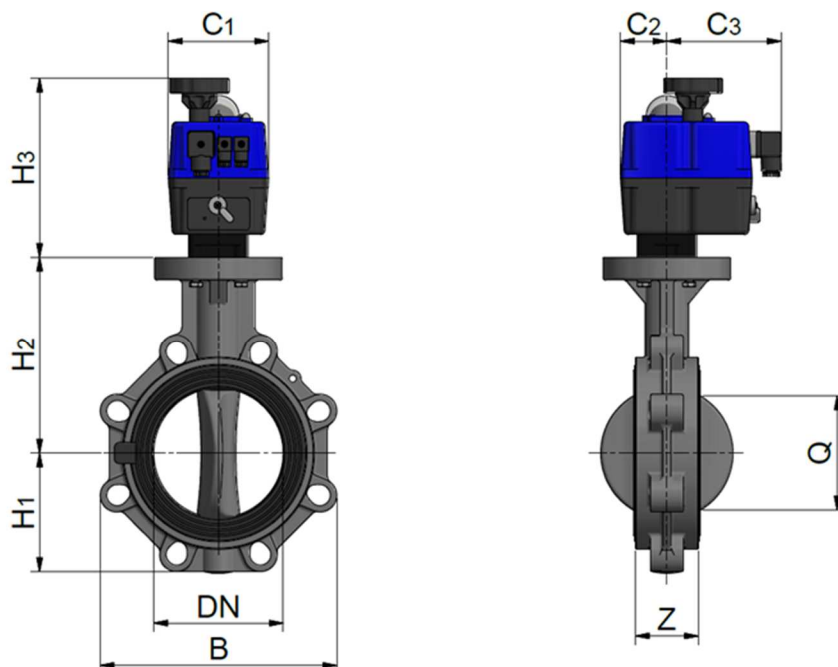
## PVC-U Valvole a farfalla PROFLOW® P attuate



### ELECTRICALLY ACTUATED 12 VAC/VDC COMANDO ELETTRICO 12 VAC/VDC

Rev. Dec 2019

- Stem: stainless steel AISI 316 / Asta: acciaio AISI 316
- Seals: EPDM or FKM / Guarnizioni: EPDM o FKM
- Installation between EN/ISO/DIN, ANSI or JIS flanges / Installazione mediante flange EN/ISO/DIN, ANSI o JIS



Code EPDM <sup>1</sup>	d	DN	Z	H1	H2	H3	C1	C2	C3	B	Q	PN	Weight (g)
FDREFPJ0750	75	65	48	80	132	169	110	51	130	134	61	10	3050
FDREFPJ0900	90	80	59	92	132	196	110	51	130	139	73	10	3750
FDREFPJ1100	110	100	59,5	106	132	196	110	51	130	150	82	10	4031
FDREFPJ1400	125/140	125	65	119	159	196	110	51	130	185	107	10	5468
FDREFPJ1600	160	150	69	130	215	254	214	107	128	259	128	10	10160
FDREFPJ2250	200/225	200	71	159	215	254	214	107	128	318	177	10	11300

1) FKM code / Codice FKM : FDREFPJ\*\*\*V

DN 65 and 150-200: full drilled body; DN 80-125: partially drilled body

DN 65 e 150-200: corpo con asolatura completa; DN 80-125: corpo con asolatura parziale



NSF and WRAS certifications: only for valves with EPDM seals. Certifications and approvals are related to items declared on Official Listing or certificates. /  
Certificazioni NSF e WRAS: valide solo per le valvole con guarnizioni EPDM. Le certificazioni si riferiscono ai prodotti dichiarati nelle Official Listing o sui certificati stessi.

# PVC-U Actuated butterfly valves PROFLOW® P

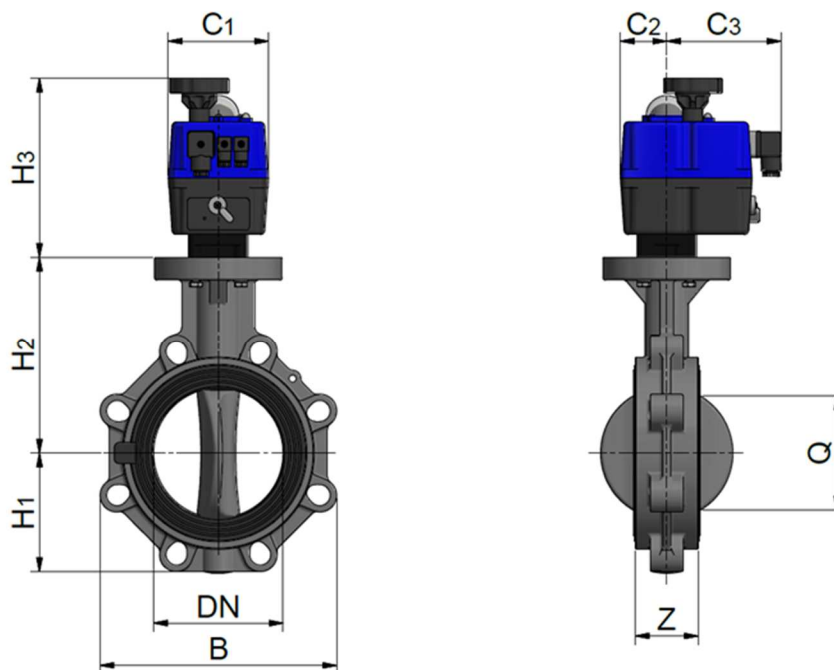
## PVC-U Valvole a farfalla PROFLOW® P attuate



**ELECTRICALLY ACTUATED 24-240 V AC / 24-135 V DC**  
**COMANDO ELETTRICO 24-240 VAC / 24-135 V DC**

Rev. Aug 2020

- Stem: stainless steel AISI 316 / Asta: acciaio AISI 316
- Seals: EPDM or FKM / Guarnizioni: EPDM o FKM
- Installation between EN/ISO/DIN, ANSI or JIS flanges / Installazione mediante flange EN/ISO/DIN, ANSI o JIS



Code EPDM <sup>1</sup>	d	DN	Z	H1	H2	H3	C1	C2	C3	B	Q	PN	Weight (g)
FDREPPY0750	75	65	48	80	132	169	110	51	130	134	61	10	3050
FDREPPY0900	90	80	59	92	132	196	110	51	130	139	73	10	3750
FDREPPY1100	110	100	59,5	106	132	196	110	51	130	150	82	10	4031
FDREPPY1400	125/140	125	65	119	159	196	110	51	130	185	107	10	5468
FDREPPY1600	160	150	69	130	215	254	214	107	128	259	128	10	10160
FDREPPY2250	200/225	200	71	159	215	254	214	107	128	318	177	10	11300

1) FKM code / Codice FKM : FDREPPY\*\*\*V

DN 65 and 150-200: full drilled body; DN 80-125: partially drilled body

DN 65 e 150-200: corpo con asolatura completa; DN 80-125: corpo con asolatura parziale



NSF and WRAS certifications: only for valves with EPDM seals. Certifications and approvals are related to items declared on Official Listing or certificates. /  
 Certificazioni NSF e WRAS: valide solo per le valvole con guarnizioni EPDM. Le certificazioni si riferiscono ai prodotti dichiarati nelle Official Listing o sui certificati stessi.

# PVC-U Actuated butterfly valves PROFLOW® P

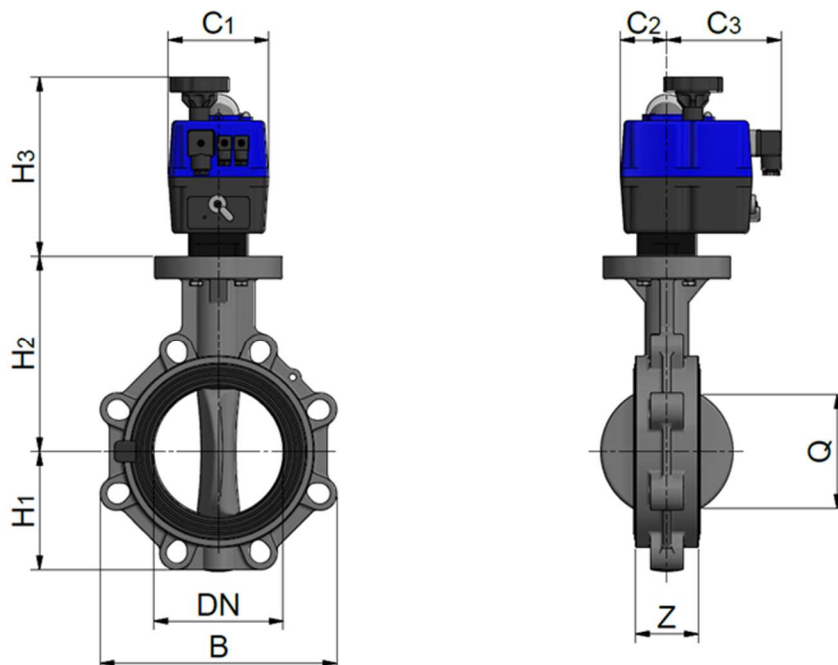
## PVC-U Valvole a farfalla PROFLOW® P attuate



**ELECTRICALLY ACTUATED 24-240 V AC / 24-135 V DC**  
**COMANDO ELETTRICO 24-240 V AC / 24-135 V DC**

Rev. Aug 2020

- Stem: stainless steel AISI 420b / Asta: acciaio AISI 420b
- Seals: EPDM or FKM / Guarnizioni: EPDM o FKM
- Installation between EN/ISO/DIN, ANSI or JIS flanges / Installazione mediante flange EN/ISO/DIN, ANSI o JIS



Code EPDM <sup>1</sup>	d	DN	Z	H1	H2	H3	C1	C2	C3	B	Q	PN	Weight (g)
FDREPPY0750.CR	75	65	48	80	132	169	110	51	130	134	61	10	3050
FDREPPY0900.CR	90	80	59	92	132	196	110	51	130	139	73	10	3750
FDREPPY1100.CR	110	100	59,5	106	132	196	110	51	130	150	82	10	4031
FDREPPY1400.CR	125/140	125	65	119	159	196	110	51	130	185	107	10	5468
FDREPPY1600.CR	160	150	69	130	215	254	214	107	128	259	128	10	10160
FDREPPY2250.CR	200/225	200	71	159	215	254	214	107	128	318	177	10	11300

1) FKM code / Codice FKM : FDREPPY\*\*\*V.CR

DN 65 and 150-200: full drilled body; DN 80-125: partially drilled body

DN 65 e 150-200: corpo con asolatura completa; DN 80-125: corpo con asolatura parziale



NSF and WRAS certifications: only for valves with EPDM seals. Certifications and approvals are related to items declared on Official Listing or certificates. /  
 Certificazioni NSF e WRAS: valide solo per le valvole con guarnizioni EPDM. Le certificazioni si riferiscono ai prodotti dichiarati nelle Official Listing o sui certificati stessi.

# PVC-U Actuated butterfly valves PROFLOW® H

## PVC-U Valvole a farfalla PROFLOW® H attuate

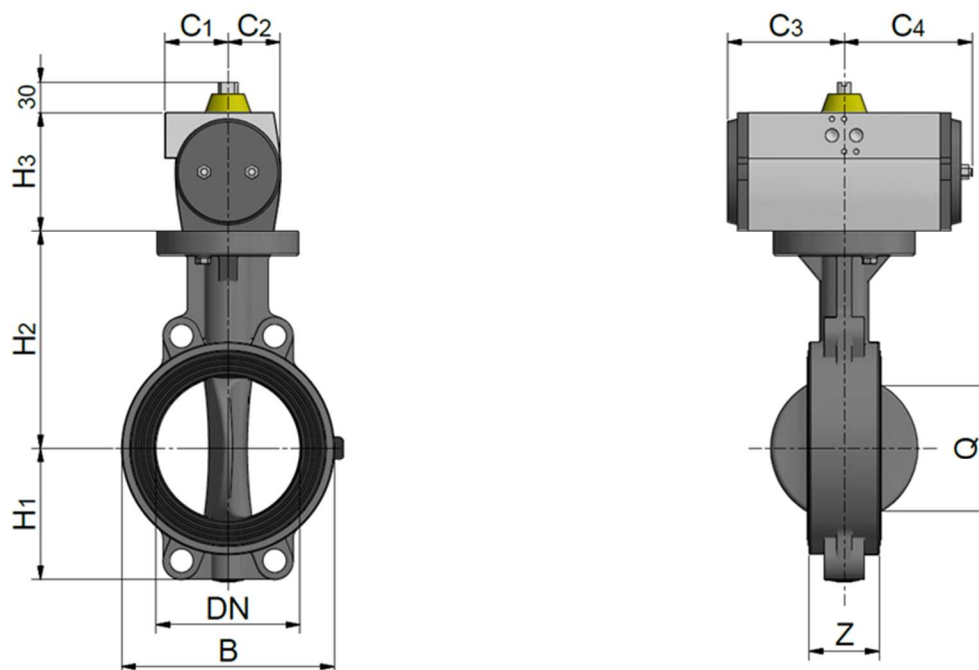


### PNEUMATICALLY ACTUATED – DOUBLE ACTING

### COMANDO PNEUMATICO – DOPPIO EFFETTO

Rev. Nov 2019

- Stem: zinc plated carbon steel / Asta: acciaio zincato AVP
- Seals: EPDM / Guarnizioni: EPDM
- Installation between EN/ISO/DIN, ANSI or JIS flanges / Installazione mediante flange EN/ISO/DIN, ANSI o JIS



Code	d	DN	Z	H1	H2	H3	C1	C2	C3	C4	B	Q	PN	Weight (g)
FDRPPFH075D	75	65	48	80	132	81	47	34	98,5	108,5	134	61	10	3330
FDRPPFH090D	90	80	59	92	132	81	47	34	98,5	108,5	139	73	10	3530
FDRPPFH110D	110	100	59,5	106	132	98	54	42	88,5	97,5	150	82	10	3781
FDRPPFH140D	125/140	125	65	119	159	98	54	42	119,5	128,5	185	107	10	5718
FDRPPFH160D	160	150	69	130	215	117	62	52	115	126	210	128	10	8080
FDRPPFH225D	200/225	200	71	160	215	154	66	65	123	138	269	177	10	10428



NSF and WRAS certifications: only for valves with EPDM seals. Certifications and approvals are related to items declared on Official Listing or certificates. /  
 Certificazioni NSF e WRAS: valide solo per le valvole con guarnizioni EPDM. Le certificazioni si riferiscono ai prodotti dichiarati nelle Official Listing o sui certificati stessi.



# PVC-U Actuated butterfly valves PROFLOW® H

## PVC-U Valvole a farfalla PROFLOW® H attuate

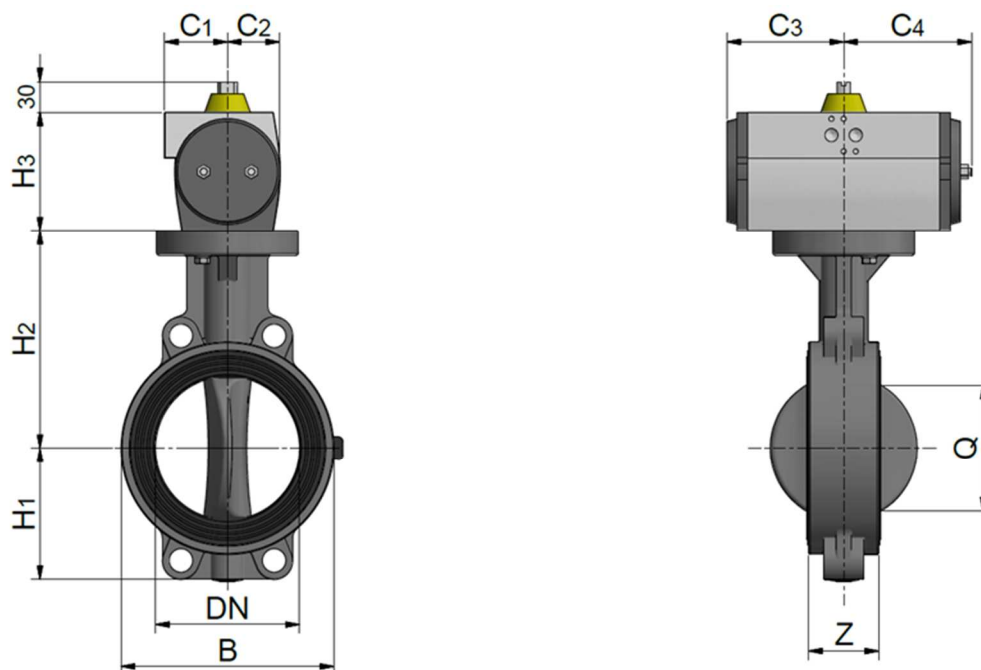


### PNEUMATICALLY ACTUATED – SPRING RETURN

### COMANDO PNEUMATICO – SEMPLICE EFFETTO

Rev. Nov 2019

- Standard version: "fail-to-close" / *Versione standard: normalmente chiusa*
- Stem: zinc plated carbon steel / *Asta: acciaio zincato AVP*
- Seals: EPDM / *Guarnizioni: EPDM*
- Installation between EN/ISO/DIN, ANSI or JIS flanges / *Installazione mediante flange EN/ISO/DIN, ANSI o JIS*



Code	d	DN	Z	H1	H2	H3	C1	C2	C3	C4	B	Q	PN	Weight (g)
FDRPPFH075S	75	65	48	80	132	98	54	42	119,5	128,5	134	61	10	4920
FDRPPFH090S	90	80	59	92	132	117	62	52	115	126	139	73	10	6230
FDRPPFH110S	110	100	59,5	106	132	117	62	52	115	126	150	82	10	6511
FDRPPFH140S	125/140	125	65	119	159	154	66	65	123	138	185	107	10	10358
FDRPPFH160S	160	150	69	130	215	168,5	73	72	175,5	191,5	210	128	10	17140
FDRPPFH225S	200/225	200	71	160	215	202	91	90	180,5	200	269	177	10	24978



NSF and WRAS certifications: only for valves with EPDM seals. Certifications and approvals are related to items declared on Official Listing or certificates. /  
 Certificazioni NSF e WRAS: valide solo per le valvole con guarnizioni EPDM. Le certificazioni si riferiscono ai prodotti dichiarati nelle Official Listing o sui certificati stessi.

# PVC-U Actuated butterfly valves PROFLOW® P

## PVC-U Valvole a farfalla PROFLOW® P attuate

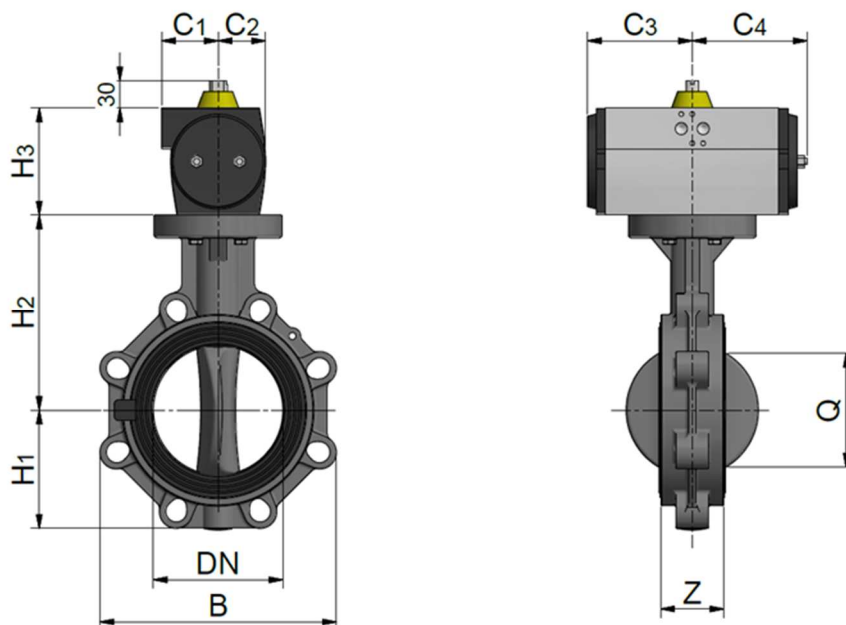


### PNEUMATICALLY ACTUATED – DOUBLE ACTING

### COMANDO PNEUMATICO – DOPPIO EFFETTO

Rev. Nov 2019

- Stem: stainless steel AISI 420b / Asta: acciaio AISI 420b
- Seals: EPDM or FKM / Guarnizioni: EPDM o FKM
- Installation between EN/ISO/DIN, ANSI or JIS flanges / Installazione mediante flange EN/ISO/DIN, ANSI o JIS



Code EPDM <sup>1</sup>	d	DN	Z	H1	H2	H3	C1	C2	C3	C4	B	Q	PN	Weight (g)
FDRPPFP075D.CR	75	65	48	80	132	81	47	34	98,5	108,5	134	61	10	3330
FDRPPFP090D.CR	90	80	59	92	132	81	47	34	98,5	108,5	139	73	10	3530
FDRPPFP110D.CR	110	100	59,5	106	132	98	54	42	88,5	97,5	150	82	10	3781
FDRPPFP140D.CR	125/140	125	65	119	159	98	54	42	119,5	128,5	185	107	10	5718
FDRPPFP160D.CR	160	150	69	130	215	117	62	52	115	126	259	128	10	9118
FDRPPFP225D.CR	200/225	200	71	159	215	154	66	65	123	138	318	177	10	12550

1) FKM code / Codice FKM : FDRPPFP\*\*\*DV.CR

DN 65 and 150-200: full drilled body; DN 80-125: partially drilled body

DN 65 e 150-200: corpo con asolatura completa; DN 80-125: corpo con asolatura parziale



NSF and WRAS certifications: only for valves with EPDM seals. Certifications and approvals are related to items declared on Official Listing or certificates. /  
 Certificazioni NSF e WRAS: valide solo per le valvole con guarnizioni EPDM. Le certificazioni si riferiscono ai prodotti dichiarati nelle Official Listing o sui certificati stessi.

# PVC-U Actuated butterfly valves PROFLOW® P

## PVC-U Valvole a farfalla PROFLOW® P attuate

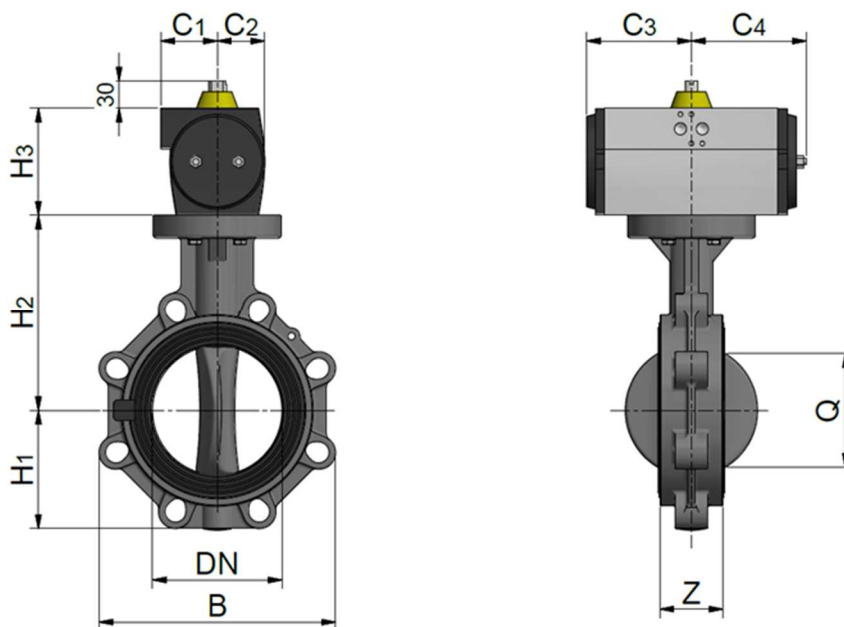


### PNEUMATICALLY ACTUATED – DOUBLE ACTING

### COMANDO PNEUMATICO – DOPPIO EFFETTO

Rev. Dec 2019

- Stem: stainless steel AISI 316 / Asta: acciaio AISI 316
- Seals: EPDM or FKM / Guarnizioni: EPDM o FKM
- Installation between EN/ISO/DIN, ANSI or JIS flanges / Installazione mediante flange EN/ISO/DIN, ANSI o JIS



Code EPDM <sup>1</sup>	d	DN	Z	H1	H2	H3	C1	C2	C3	C4	B	Q	PN	Weight (g)
FDRPPFP075D	75	65	48	80	132	81	47	34	98,5	108,5	134	61	10	3330
FDRPPFP090D	90	80	59	92	132	81	47	34	98,5	108,5	139	73	10	3530
FDRPPFP110D	110	100	59,5	106	132	98	54	42	88,5	97,5	150	82	10	3781
FDRPPFP140D	125/140	125	65	119	159	98	54	42	119,5	128,5	185	107	10	5718
FDRPPFP160D	160	150	69	130	215	117	62	52	115	126	259	128	10	9118
FDRPPFP225D	200/225	200	71	159	215	154	66	65	123	138	318	177	10	12550

1) FKM code / Codice FKM : FDRPPFP\*\*\*DV

DN 65 and 150-200: full drilled body; DN 80-125: partially drilled body

DN 65 e 150-200: corpo con asolatura completa; DN 80-125: corpo con asolatura parziale



NSF and WRAS certifications: only for valves with EPDM seals. Certifications and approvals are related to items declared on Official Listing or certificates. /  
 Certificazioni NSF e WRAS: valide solo per le valvole con guarnizioni EPDM. Le certificazioni si riferiscono ai prodotti dichiarati nelle Official Listing o sui certificati stessi.

# PVC-U Actuated butterfly valves PROFLOW® P

## PVC-U Valvole a farfalla PROFLOW® P attuate

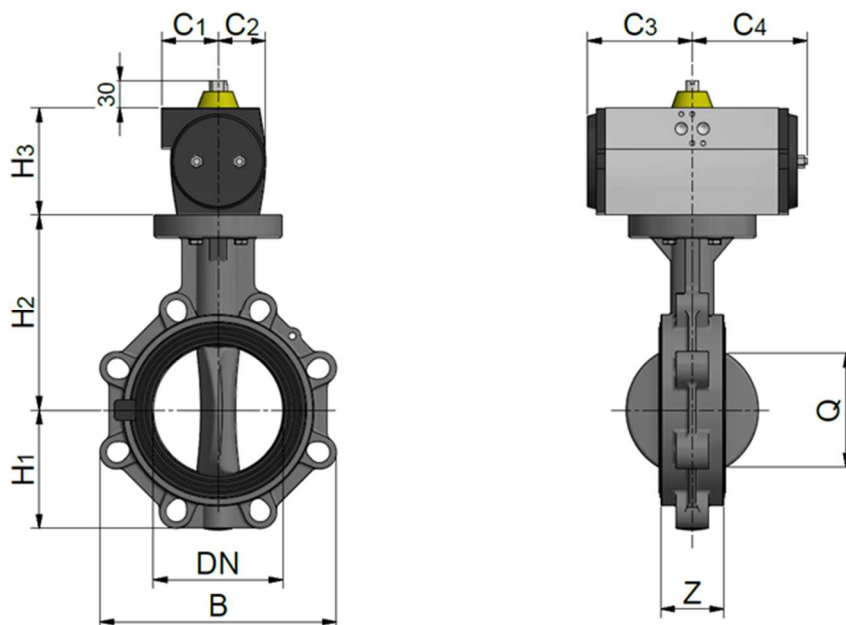


### PNEUMATICALLY ACTUATED – SPRING RETURN

### COMANDO PNEUMATICO – SEMPLICE EFFETTO

Rev. Nov 2019

- Standard version: "fail-to-close" / *Versione standard: normalmente chiusa*
- Stem: stainless steel AISI 420b / *Asta: acciaio AISI 420b*
- Seals: EPDM or FKM / *Guarnizioni: EPDM o FKM*
- Installation between EN/ISO/DIN, ANSI or JIS flanges / *Installazione mediante flange EN/ISO/DIN, ANSI o JIS*



Code EPDM <sup>1</sup>	d	DN	Z	H1	H2	H3	C1	C2	C3	C4	B	Q	PN	Weight (g)
FDRPPFP075S.CR	75	65	48	80	132	98	54	42	119,5	128,5	134	61	10	4920
FDRPPFP090S.CR	90	80	59	92	132	117	62	52	115	126	139	73	10	6230
FDRPPFP110S.CR	110	100	59,5	106	132	117	62	52	115	126	150	82	10	6511
FDRPPFP140S.CR	125/140	125	65	119	159	154	66	65	123	138	185	107	10	10358
FDRPPFP160S.CR	160	150	69	130	215	168,5	73	72	175,5	191,5	259	128	10	18178
FDRPPFP225S.CR	200/225	200	71	159	215	202	91	90	180,5	200	318	177	10	27100

1) FKM code / *Codice FKM* : FDRPPFP\*\*\*SV.CR

DN 65 and 150-200: full drilled body; DN 80-125: partially drilled body

*DN 65 e 150-200: corpo con asolatura completa; DN 80-125: corpo con asolatura parziale*



NSF and WRAS certifications: only for valves with EPDM seals. Certifications and approvals are related to items declared on Official Listing or certificates. / *Certificazioni NSF e WRAS: valide solo per le valvole con guarnizioni EPDM. Le certificazioni si riferiscono ai prodotti dichiarati nelle Official Listing o sui certificati stessi.*

# PVC-U Actuated butterfly valves PROFLOW® P

## PVC-U Valvole a farfalla PROFLOW® P attuate

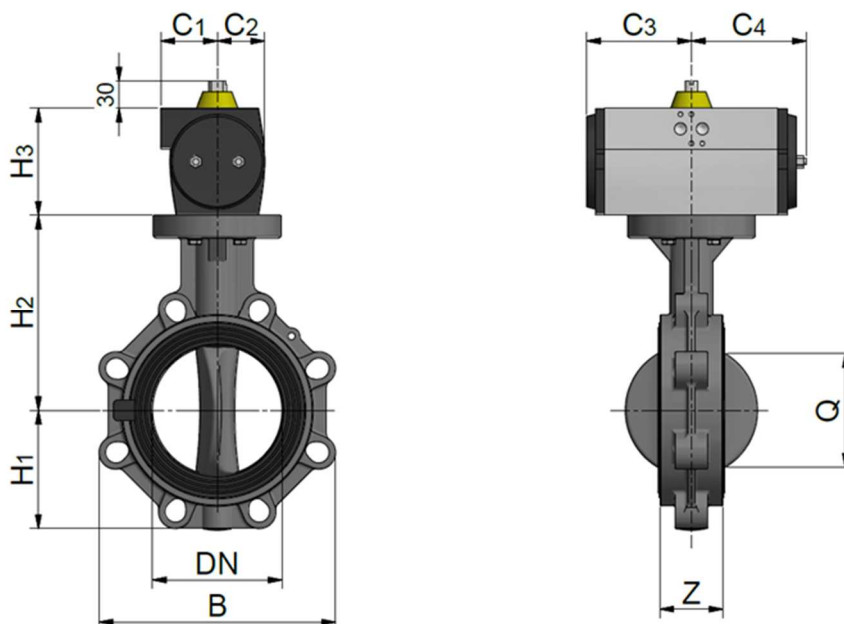


### PNEUMATICALLY ACTUATED – SPRING RETURN

### COMANDO PNEUMATICO – SEMPLICE EFFETTO

Rev. Dec 2019

- Standard version: "fail-to-close" / *Versione standard: normalmente chiusa*
- Stem: stainless steel AISI 316 / *Asta: acciaio AISI 316*
- Seals: EPDM or FKM / *Guarnizioni: EPDM o FKM*
- Installation between EN/ISO/DIN, ANSI or JIS flanges / *Installazione mediante flange EN/ISO/DIN, ANSI o JIS*



Code EPDM <sup>1</sup>	d	DN	Z	H1	H2	H3	C1	C2	C3	C4	B	Q	PN	Weight (g)
FDRPPFP075S	75	65	48	80	132	98	54	42	119,5	128,5	134	61	10	4920
FDRPPFP090S	90	80	59	92	132	117	62	52	115	126	139	73	10	6230
FDRPPFP110S	110	100	59,5	106	132	117	62	52	115	126	150	82	10	6511
FDRPPFP140S	125/140	125	65	119	159	154	66	65	123	138	185	107	10	10358
FDRPPFP160S	160	150	69	130	215	168,5	73	72	175,5	191,5	259	128	10	18178
FDRPPFP225S	200/225	200	71	159	215	202	91	90	180,5	200	318	177	10	27100

1) FKM code / *Codice FKM* : FDRPPFP\*\*\*SV

DN 65 and 150-200: full drilled body; DN 80-125: partially drilled body

DN 65 e 150-200: corpo con asolatura completa; DN 80-125: corpo con asolatura parziale



NSF and WRAS certifications: only for valves with EPDM seals. Certifications and approvals are related to items declared on Official Listing or certificates. /  
 Certificazioni NSF e WRAS: valide solo per le valvole con guarnizioni EPDM. Le certificazioni si riferiscono ai prodotti dichiarati nelle Official Listing o sui certificati stessi.

All descriptions and illustrations in this publication are intended for guidance only and shall not constitute a 'sale by description'. All dimensions given are nominal, while changes can be done on the information, products and specifications from time to time for a variety of reasons, without prior notice. The information in this publication is provided 'as is' on the revision date stated on the sheet. Updates will not be issued automatically. This information is not intended to have any legal effect, whether by way of advice, representation or warranty (express or implied). We accept no liability whatsoever (to the extent permitted by law) if you place any reliance on this publication you must do so at your own risk. All rights reserved. Copyright in this publication belongs to Polypipe Italia and all such copyright may not be used, sold, copied or reproduced in whole or part in any manner in any media to any person without prior consent. **EFFAST** is a registered trademark."

Polypipe Italia  
 Loc. Pianmercato 5C-5D-5H, 16044 Cicagna (GE), Italy  
 Tel: +39 0185 92399 E-mail: [support@effast.com](mailto:support@effast.com)

[www.effast.com](http://www.effast.com)